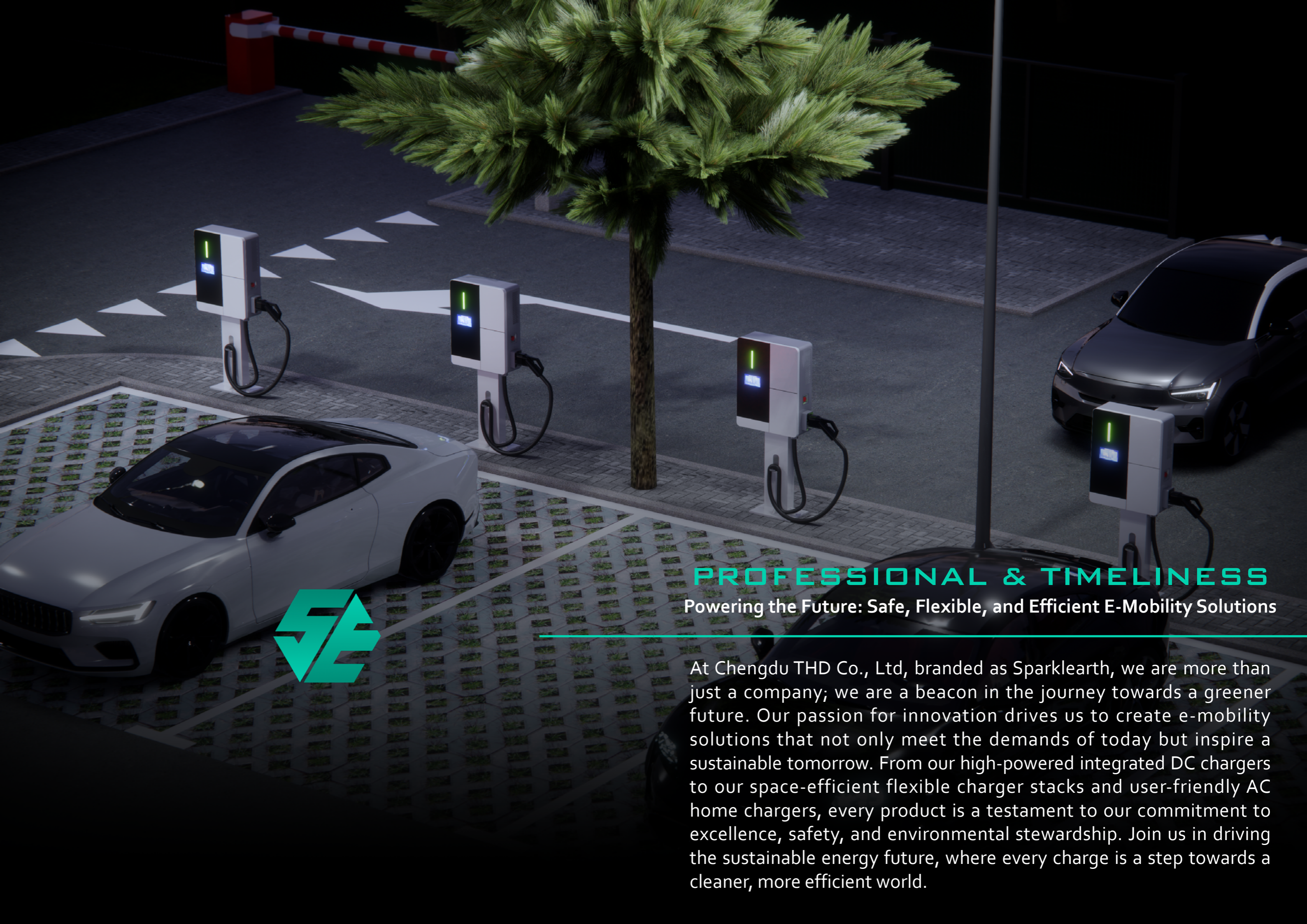


Cuber

USER MANUAL
20-60kW



WWW.CHINESE-EV.COM



PROFESSIONAL & TIMELINESS

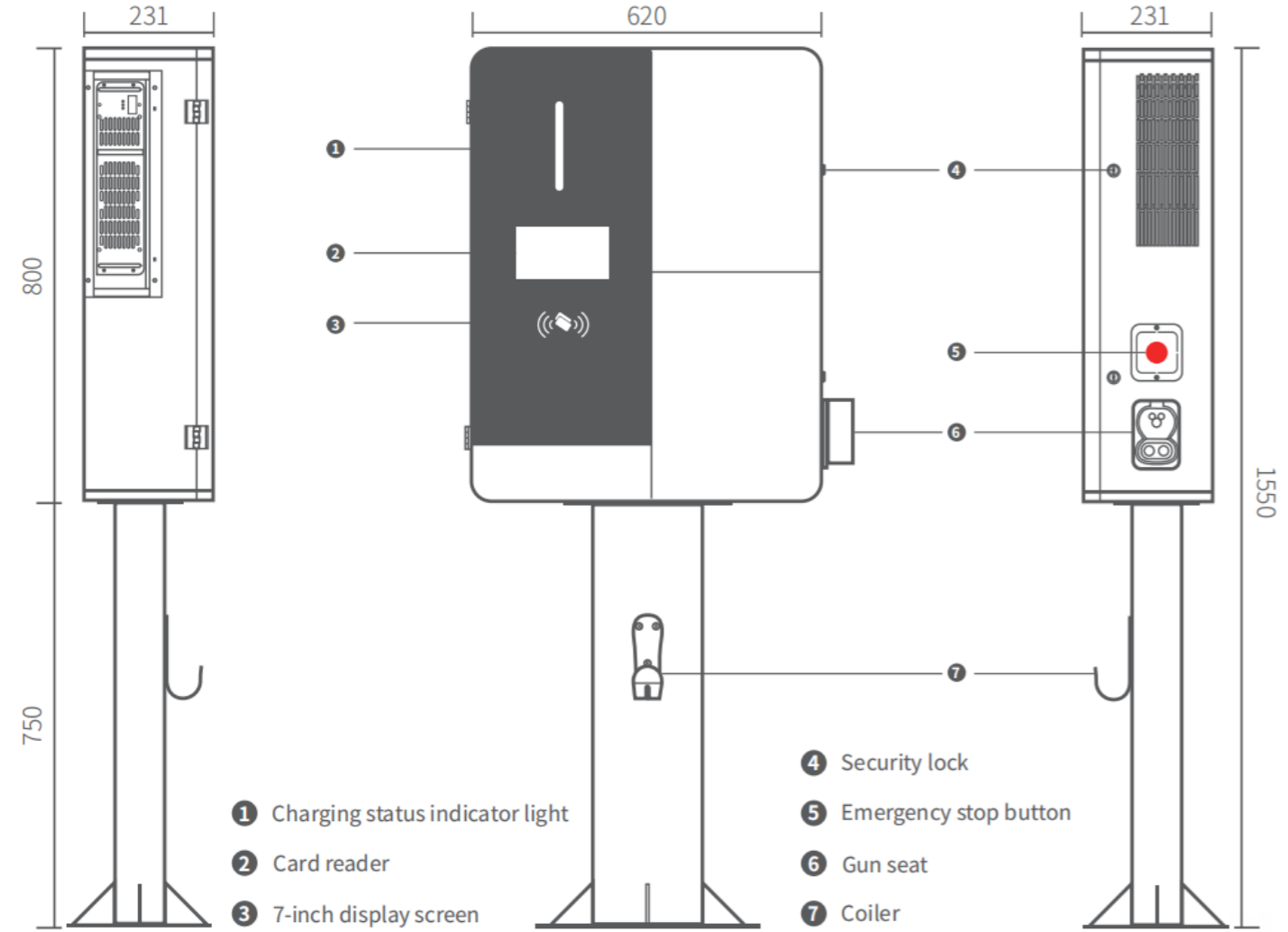
Powering the Future: Safe, Flexible, and Efficient E-Mobility Solutions

At Chengdu THD Co., Ltd, branded as Sparklearnth, we are more than just a company; we are a beacon in the journey towards a greener future. Our passion for innovation drives us to create e-mobility solutions that not only meet the demands of today but inspire a sustainable tomorrow. From our high-powered integrated DC chargers to our space-efficient flexible charger stacks and user-friendly AC home chargers, every product is a testament to our commitment to excellence, safety, and environmental stewardship. Join us in driving the sustainable energy future, where every charge is a step towards a cleaner, more efficient world.

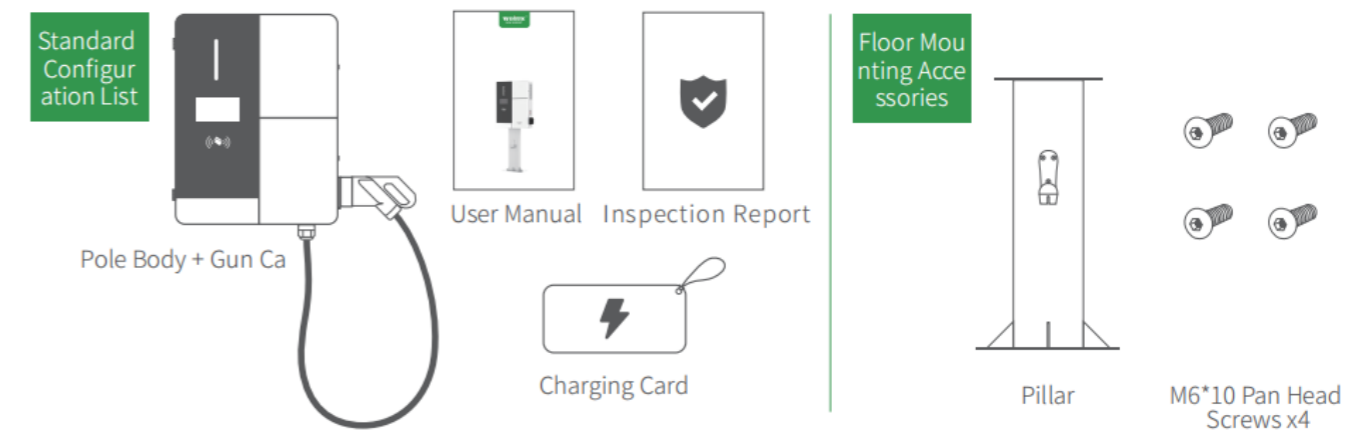
Product Introduction

<p>User Scenarios Underground parking lots, garages, outdoor parking lots, highways, neighborhoods, etc</p>	<p>Industrial Design Integrated design with a containment frame for convenient charging storage.</p>	<p>Protection Level IP54 The charging station has a dust-proof and water proof design with a robust and durable body, ensuring safety during the charging process.</p>
<p>Status Detection The charging station monitors the current charging status, automatically halting operation in case of any abnormal conditions.</p>	<p>Human-Machine Interaction High-definition industrial-grade LCD screen for clear display of various charging information</p>	<p>Indicator Light Different lighting indicates different charging states for a simple and intuitive user experience.</p>

Product appearance (dimension unit: mm)



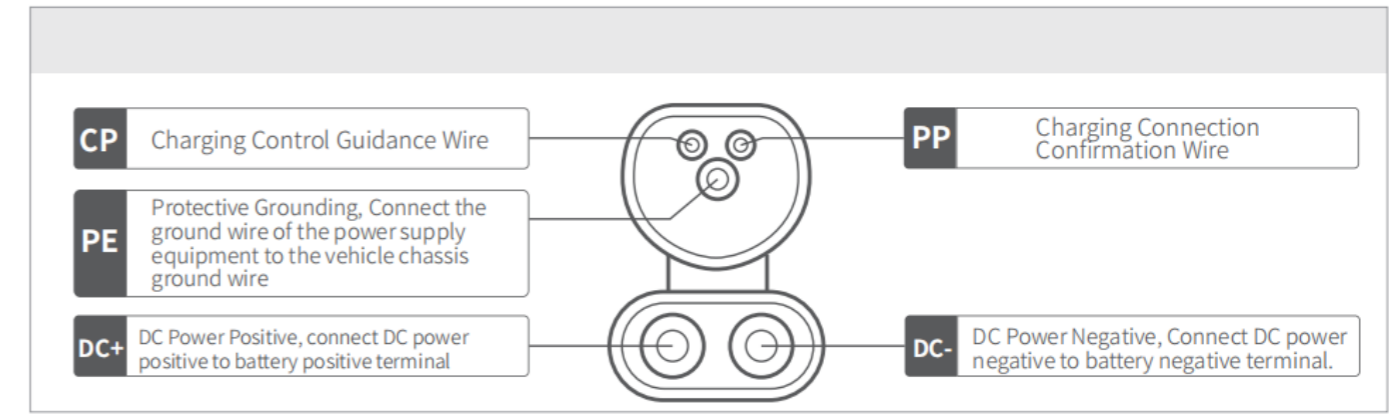
Accessories list



Definition of Charging Indicator Lights

Project Name	Specifications
Power Light (Green) On	Charging Station Standby
Charging Light (Yellow) Solid On	Charging Station Connected to Vehicle
Charging Light (Yellow) Flashing	Charging Station Charging Vehicle
Fault Light (Red) On	Charging Station Fault

Connector Parameters



Product Parameters

Environmental Parameters

Project Name	Specifications
Storage Temperature	-40°C~+70°C
Operating Temperature	-30°C ~+50°C
Operating Humidity	5%~95%
Operating Altitude	≤2000m
Protection Level	IP54
Shock Resistanc Level	IK10
Applicable Scenarios	Outdoor/Indoor
Noise	≤60dB
Cooling Method	Forced Air Cooling, Dustproof Desig
Atmospheric Pressure	70~+106

Protection Parameters

Project Name		Specifications
Output Overvoltage Protection Output Undervoltage Protection Input Overvoltage Protection Input Undervoltage Protection	AC Phase-Loss Protection Battery Reverse Connection Protection Door Access Open Protection High Temperature Protection	Insulation Fault Protection Abnormal Connection Protection Communication Fault Protection
Output Short Circuit Protection	Emergency Stop Fault Protection	Protected with no output, not recoverable (manual recovery required)
Fan Control Method	Start charging initiates fan operation; fan stops with a 1-minute delay after stopping charging	

Input Characteristics

Project Name	Specifications
Input Standard	Three-Phase Five-Wire System Input
Input Voltage	380Vac ±15% (Vac)
Input Current	< 31A/46A/61A/92A
AC Input Frequency	50±5Hz
Maximum Efficiency	≥95%
Power Factor	≥99%
Input Total Harmonic Distortion	≤5%

Output Characteristics

Project Name	Specifications
Output Voltage Range	150VDC~1000(VDC)
Maximum Output Current	Single gun: 67A/100A/135A/200A; Dual gun: 67A/100A
Constant Power Range	300VDC~1000VDC
Voltage Regulation Accuracy	≤±0.5%
Current Regulation Accuracy	≤±1%
Ripple Factor	≤1%(Peak)
Current Unbalance	≤±5%(Typical 3%, 50%~100% Rated Load)

Product Parameters

Safety Standards	
Project Name	Specifications
Compliance Standard	IEC 61851-1:2017, IEC 61851-23:2014, IEC 61851-24:2014, EN IEC 61851-1:2019, EN 61851-23:2014, EN 61851-24:2014

Appearance Parameters	
Project Name	Specifications
Product Name	20-60kW DC Single-Gun Charging Station
Housing Material	Metal
Installation Method	Installation: Wall-Mounted/Column-Mounted
Recommended Installation Height	1.2m (additional 0.3m cable reservation required)
Wiring Method	Bottom Inlet, Bottom Outlet
Communication Interface	4G/Ethernet
Physical Dimensions	Wall-Mounted: 620*231*800mm Column-Mounted:620*231*1550mm



1. Do not connect to power before communicating with our engineers.
2. Please check if the network and Ethernet cable are functional.
3. The IP and MAC addresses are the fixed addresses of the device.

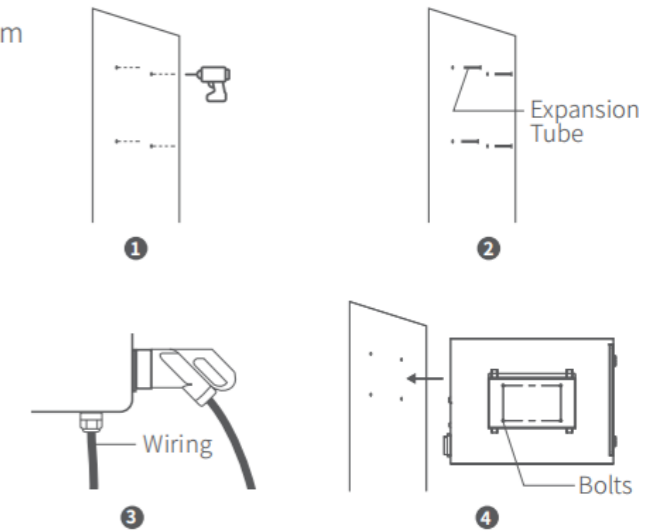
Product Parameters

Note*: M6*50 and M8*70 expansion bolts need to be purchased separately.

Wall-Mount Installation Steps

- Drill holes according to the dimensions in the diagram below (4 fixing holes for the charging station)
- Insert 4 M6*50 expansion bolts into the holes.
- Complete the wiring for the charging station.
- Align the charging station holes with the expansion bolts and tighten the screws
- Once the charging station is installed, power it on for immediate use.

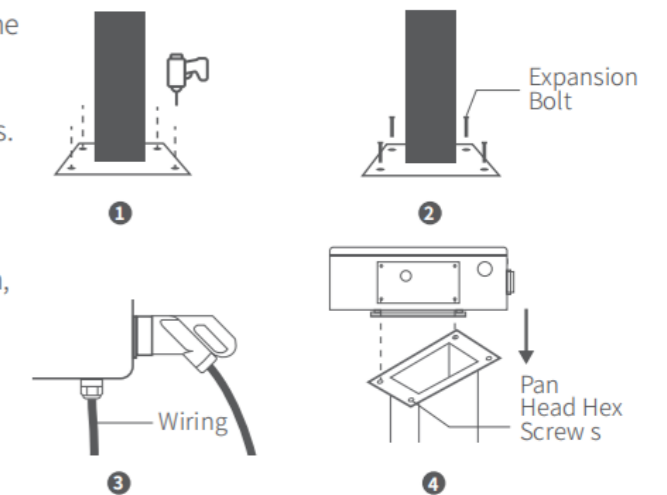
Wall-Mount Installation Diagram



Column-Mount Installation Steps

- Drill holes in the ground according to the position of the column base plate
- Secure the column firmly with 4 M8*70 expansion bolts.
- Complete the wiring for the charging station
- Align the charging station with the holes in the column, and securely fasten it with M6*10 pan head hex screws.
- Once the charging station is installed, power it on for immediate use

Column-Mount Installation Diagram

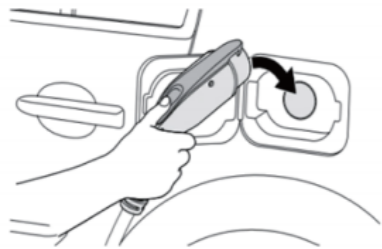


Charging Station User Manual

Card Swipe Charging

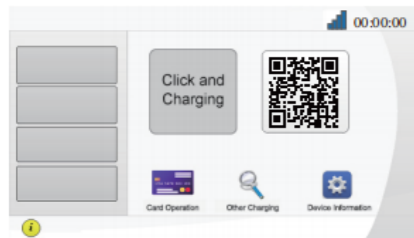
- Green indicator light on the charging station: Standby mode with no faults, ready for use.
- Charging connection: Insert the charging gun into the vehicle's charging port, and the yellow indicator light stays on, indicating the charging gun is connected to the vehicle.
- Swipe the card in the designated area to start charging.
- Charging indicator light turns to flashing yellow, indicating the charging station is actively charging the vehicle.
- After automatic charging completion, the indicator light remains solid yellow, indicating the end of the charging process.
- Remove the charging gun from the vehicle's charging port, and the indicator light stays solid green.

Charging Station Card Swipe Charging Procedure



1 Insert Gun

After parking the electric vehicle, take the charging gun from the station and insert it into the electric vehicle's charging socket.



2 Charging Page Display (Sample Image)

Standby page of the charging station. Click on "Start Charging" to enter the card swipe charging page, or scan the QR code on the right for QR code charging.



3 Charging Options—1

When the user clicks on card swipe charging, there are three options: "Auto Fill," "Other Methods," and "Back," as shown in the figure.

During operation, please pay attention to the internal panels and wiring of the charging station. Do not power on if damaged!



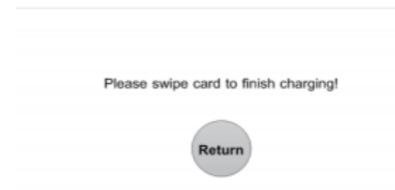
4 Charging Options—2

When selecting "Other Methods," there are five options: "Charge by Quantity," "Charge by Amount," "Charge by Duration," "Reservation Charging," and "Back to Previous Level."



5 Settings Page

Choose any of the five charging methods, follow the prompts to set relevant charging parameters. After setting, click to enter the charging interface.



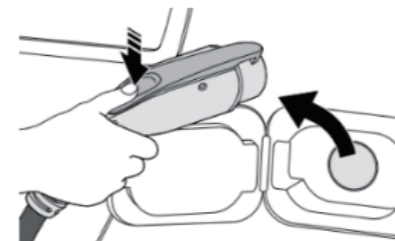
6 How to Stop Charging

If charging needs to be stopped during the process, press the stop charging button at the bottom right of the screen. When the interface shown below appears, place the charging stored value card in the card swipe indicator area.



7 Payment Page

After hearing a "beep," remove the card. When the interface shown below appears, it indicates the end of card swipe charging and successful payment.



8 Retrieve Gun

Remove the charging gun from the vehicle's charging socket, coil the cable neatly, hang it on the cable hook beneath the charging station, and insert the charging gun into the charging station socket. Charging is now complete.

Charging Station User Manual

Cardless Charging

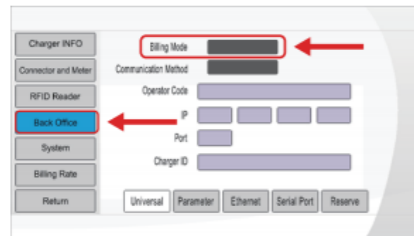
- The charging station is set by default for card-based charging. To switch to cardless charging, follow the steps below.

Cardless Charging Operation Procedure



1 Access the Settings Page

On the main page, click on the device information setting in the lower-right corner.



2 Access the Backend Settings Page

Access the Settings Page, click on the Backend button to enter the Backend Settings Page, click on Billing Mode, and select the Cardless Charging Mode from the dropdown menu. After the station restarts, you can use cardless charging. The charging process is identical to card-based charging, except for the card-swiping step.

Service System

After-Sales Service Card

Name: _____ Photo: _____

Email: _____ Postal Code: _____

Device Model: _____

Shipping Address: _____

Reason for Return: _____

Maintenance Record

Maintenance Date: _____ Phone: _____

Fault Description: _____

Cause of Fault: _____

Maintenance Details:

Return Instructions

If there is any issue with the product, please call our contact number at your earliest convenience to reach our staff.

If you require an exchange service, please ensure that the product is kept clean and tidy, with the outer packaging intact to avoid any hindrance to secondary sales.

Service Phone: 86+ 18828883918





Chengdu THD Co., Ltd

   @CHENGDU THD

Address: No.1725, Floor 17, Unit 1. Building 2, No. 18, 1st South Dongsu Road, Chengdu High-Tech Zone, China

Web: www.chinese-ev.com

Tel: +8618030500428

WhatsApp: +8619950114828

Email: info@chinese-ev.com

©2023 Chengdu THD Co., Ltd
All Rights Reserved